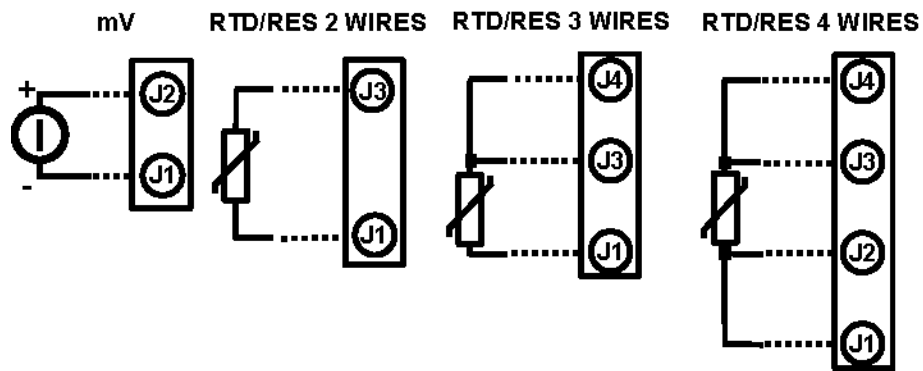
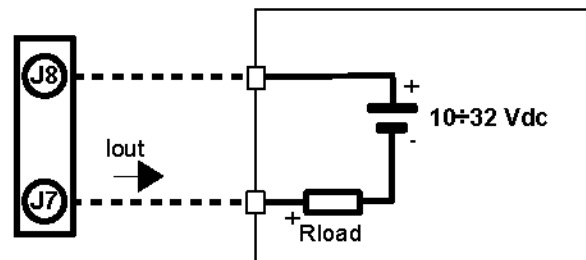


INPUT CONNECTIONS

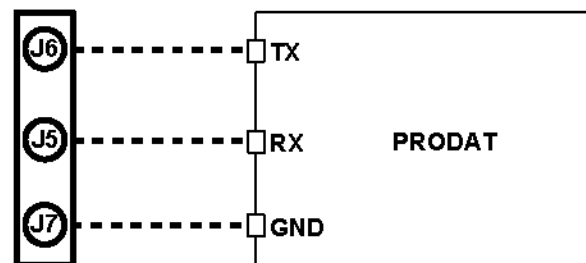


Terminal J1 = GND INPUT

OUTPUT/POWER SUPPLY CONNECTIONS



PROGRAMMING CONNECTIONS



NOTE: PRODAT connected involves an output current error. Disconnect it to obtain a correct measure on output.