

MINIATURE TURBINE FLOWMETER

FMTD-008-...

Housing : IP68
 Conformity : CE, RoHS, WEEE



Description

The Bass Instruments Flowmeter FMTD series is designed for measure and monitor liquids. The FMTD Flowmeter is a general-purpose device; specially for higher throughputs of up to approx. 3 l/min. It is employed for measuring, regulating or metering and guarantees most precise measurement of fluid quantities. In addition, a pulse generator integrated into the flowmeter guarantees a practically unlimited useful life.

Technical Data

Wetted part material	: Polyamide (PA)	Max. Rated Current	: 8 mA
Size	: G1/4" or hose conn.	Humidity	: 90 %
Magnets	: Ferrit	Repeatability	: Better than 0,5 %
Working temperature	: -25°C...+80°C	Electrical Connection	: 1m or 3 m cable
Working pressure	: 20 bar max.	Viscosity	: up to 20 cSt max.
Output	: Pulse, ops. Analog	Inlet Diameter	: 2 mm
Power Supply	: 4,5...24 VDC	Outlet Diameter	: 4 mm
Accuracy	: % 3	Enclosure	: IP68

Applications

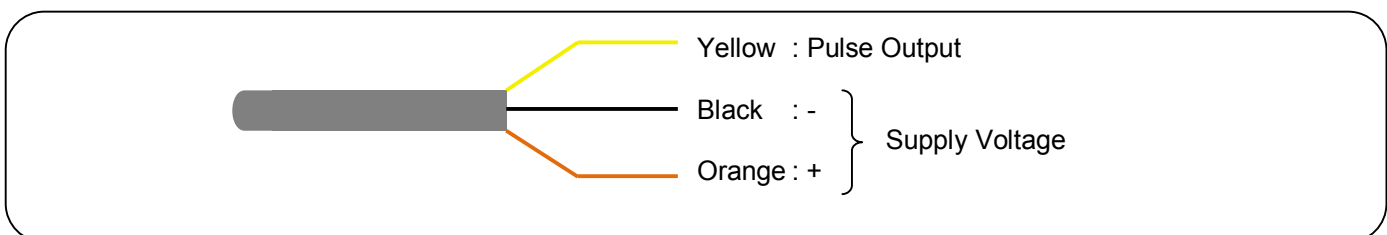
- Smart Drinking Fountains
- Beverage Industry
- Water Wending Machine
- Other Liquid Filling Machine
- Tea and Coffee Machine
- Water Purifier

Ordering Codes

Type	Range	Cable Length	Output	Factor
FMTD-008-01-F	0,15...3 l/min	1 m.	Pulse, NPN	2200 pulse/l*
FMTD-008-03-F	0,15...3 l/min	3 m.	Pulse, NPN	2200 pulse/l*
FMTD-008-PG-A	0,15...3 l/min	PG9 connector	Analog	4...20 mA

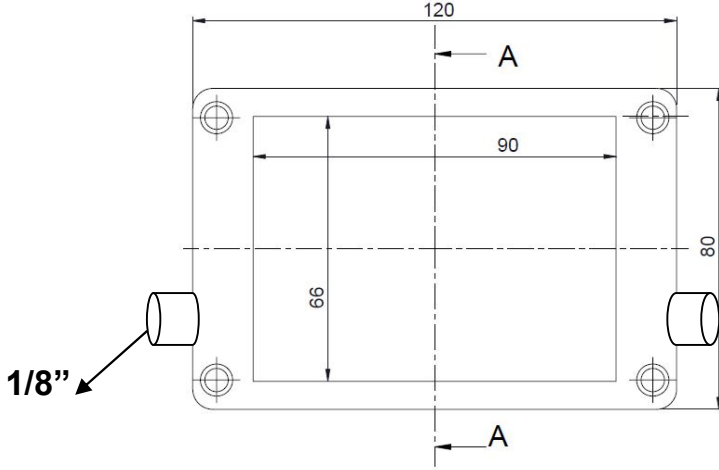
*approx.

Electrical Connection



MINIATURE TURBINE FLOWMETER

Dimensions : Analog Output



Flow

Pressure

Level

Temperature

Control Valves

RST ELEKTRONİK®

Cihangir Mah.Osman paşa
Cad.No:42 Avcılar/İSTANBUL

0212 422 67 41

0212 422 06 37

www.rst-elektronik.com