

MINIATURE TURBINE FLOWMETER

FMTD-0...-...

Housing : IP68
 Conformity : CE, RoHS, WEEE



Description

The Rst Elektronik Flowmeter FMTD series is designed for measure and monitor liquids. The FMTD Flowmeter is a general-purpose device; specially for higher throughputs of up to approx. 33 l/min. It is employed for measuring, regulating or metering and guarantees most precise measurement of fluid quantities. In addition, a pulse generator integrated into the flowmeter guarantees a practically unlimited useful life.

Technical Data

Wetted part material	: ABS plastic	Max. Rated Current	: 8 mA
Accuracy	: % 1	Humidity	: 90 %
Magnets	: Ferrit	Repeatability	: Better than 0,5 %
Working temperature	: -25°C...+70°C	Electrical Connection	: 1m or 3 m cable
Working pressure	: 10 bar max.	Viscosity	: up to 20 cSt max.
Output	: Pulse, ops. Analog	Inlet Diameter	: 8,5 mm
Power Supply	: 4,5...12 VDC	Outlet Diameter	: 12 mm
Housing	: IP68		

Applications

- Smart Drinking Fountains
- Water Wending Machine
- Tea and Coffee Machine
- Beverage Industry
- Other Liquid Filling Machine
- Water Purifier

Ordering Codes

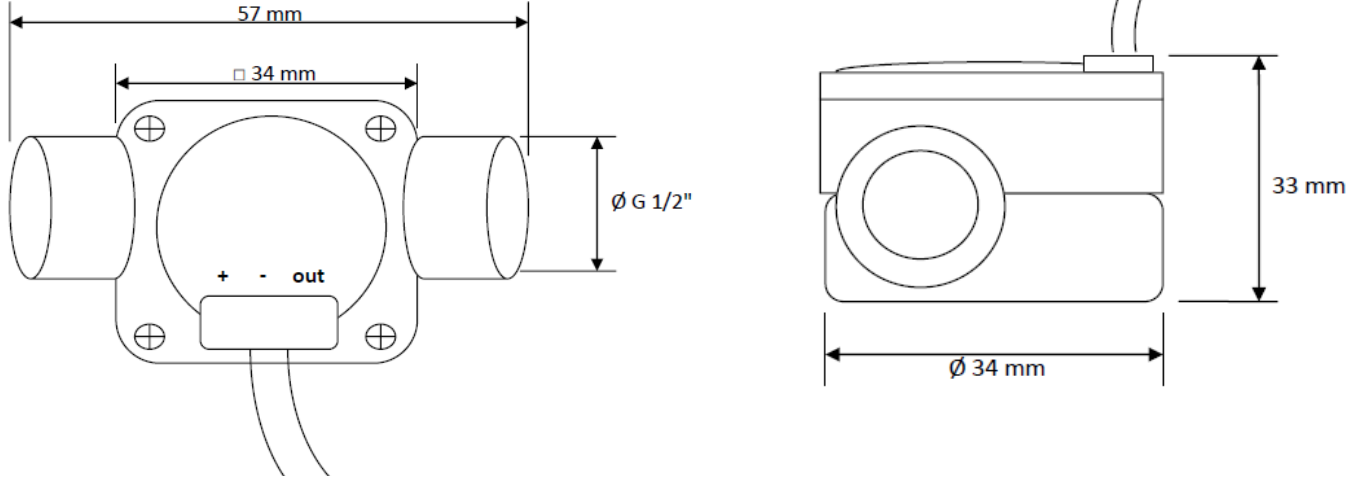
Type	Size	Range	Output	Factor
FMTD-015-01-F	G ½ "	1...30 l/min	Pulse	340 pulse/l*
FMTD-020-01-F	G ¾ "	3...50 l/min	Pulse	430 pulse/l*
FMTD-025-01-F	G 1"	5...60 l/min	Pulse	430 pulse/l*

*approx.

Electrical Connection



Dimensions



Accessories



36x72 mm rate or total
Flow indicator LED
(Panel Mounting)



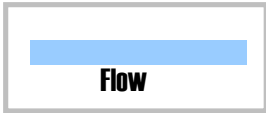
72x72 mm rate or total
Flow indicator LED
(Panel Mounting)



72x72 mm rate and total
Flow indicator LED
(Panel Mounting)



Rate or total Flow indicator
LCD (Panel and wall mounting)



RST ELEKTRONİK®

Cihangir Mah.Osman paşa

Cad.No:42 Avcılar/

İSTANBUL

0212 422 67 41

0212 422 06 37

www.rst-elektronik.com